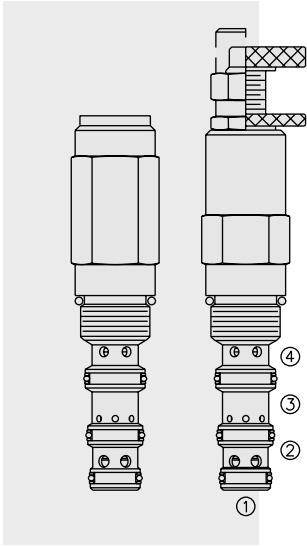


PRESSURE CONTROLS

FRRV10-41F Priority Flow Regulator . . .



DESCRIPTION

A screw-in, cartridge-style, multi-function valve which includes a fixed-compensated, priority-type flow regulator and an adjustable pressure relief valve in one cartridge.

OPERATION

The **FRRV10-41F** maintains a constant flow rate from port ③ regardless of load pressure changes at priority port ③ or bypass port ②. When load pressure at ③ reaches the setting of the relief valve, flow is dumped over the relief at ④. The relief flow can be connected to tank or to the bypass flow.

FEATURES

- Two valve functions in one, industry-common cavity.
- Adjustments cannot be backed out of the valve.
- Relief valve adjustments prohibit relief valve spring from going solid.
- Quiet, modulated response.
- Hardened parts for long life.

RATINGS

Maximum Operating Pressure: 207 bar (3000 psi)

Maximum System Pressure: 276 bar (4000 psi)

Priority Flow: 19 lpm (5.0 gpm) maximum regulated

Inlet Flow: 38 lpm (10.0 gpm) maximum

Relief Valve Pressure Setting Ranges: 17 to 207 bar (250 to 3000 psi)

Temperature: -40 to 120°C with standard Buna seals

Filtration: See page 9.010.1

Fluids: Mineral-based or synthetics with lubricating properties at viscosities of 7.4 to 420 cSt (50 to 2000 ssu)

Installation: No restrictions; See page 9.020.1

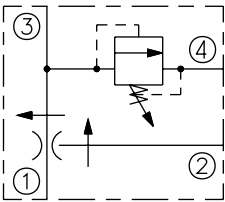
Cavity: VC10-4; See page 9.110.1

Cavity Tool: CT10-4XX; See page 8.600.1

Seal Kit: SK10-4X-MMM; See page 8.650.1

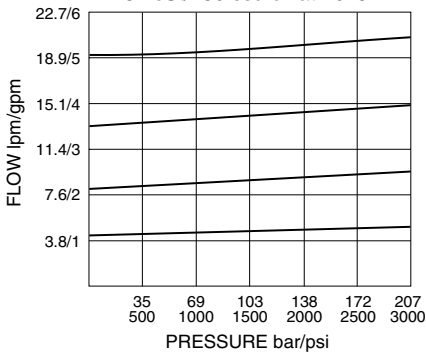
SYMBOLS

USASI/ISO:



PERFORMANCE (Cartridge Only)

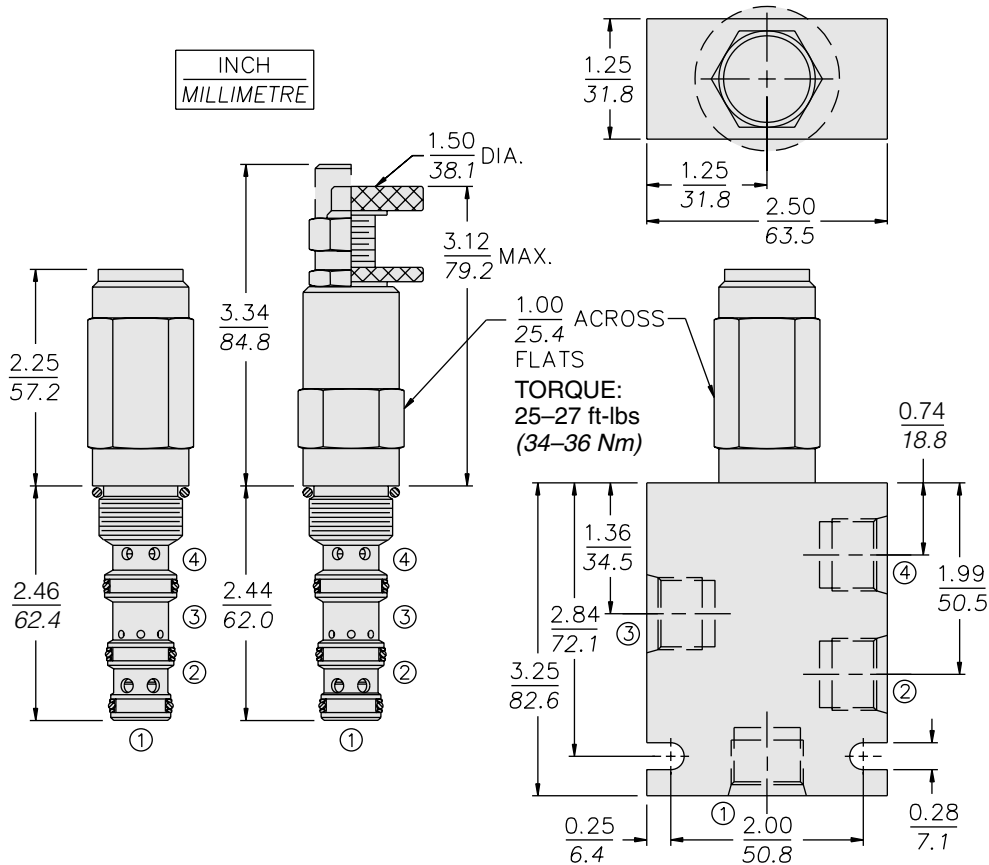
Priority Flow vs. Priority Pressure
at 30.3 lpm/8 gpm Inlet Flow
32 cSt/150 ssu oil at 40°C



with Built-In Relief Valve

FRRV10-41F

DIMENSIONS



MATERIALS

Cartridge: Weight: 0.34 kg. (0.70 lbs.); Steel with hardened work surfaces. Zinc-plated exposed surfaces. Buna N O-rings and polyester elastomer back-ups standard. Anodized aluminum knobs and caps.

Standard Ported Body: Weight: 0.34 kg. (0.70 lbs.); Anodized high-strength 6061 T6 aluminum alloy, rated to 240 bar (3500 psi); See page 8.010.1. Steel or Ductile Iron body required for operation over 241 bar (3500 psi), dimensions may differ; consult factory.

TO ORDER

FRRV10-41F

Adjustment Option
 1/4 in. Hex Allen Head **A**
 1-1/2 in. Dia. Alum Knob **B**
 Option A w/Cover Cap **C**
 Factory Preset Non-Adj. **F**
 Factory Preset Hidden Adj. **H**
 Option C w/Lockwire Holes **L**

See page 6.003.1 for adjustment option details.

Porting
 Cartridge Only **0**
 SAE 6 **6T**
 SAE 8 **8T**
 1/4 in. BSP* **2B**
 3/8 in. BSP* **3B**

Seals
 Buna N(Std.) **N**
 Fluorocarbon **V**

Pressure Setting

Range: 17 to 207 bar
M100 100 bar (example)
 Range: 250 to 3000 psi
2000 2000 psi (example)

Priority Flow Setting

Range: 1.0 to 19.0 lpm
M12.0 12.0 lpm (example)
 Range: 0.25 to 5.0 gpm
3.0 3.0 gpm (example)

*BSP Body; U.K. Mfr. Only